

## → SPRINT 3000 BOOKLETMAKER

jogs, staples, and folds in one operation | quick and easy set-up and adjustment | variable speed | produces booklets up to 100 pages (off-line)\* | 2 stapling heads, 4 stapling positions | uses 210-staple sticks | powered exit conveyor | transparent safety access cover—machine will not operate with cover in open position | mounted on heavy-duty casters | interfaces with wide range of collators including the MBM FC 10 | optional face trimmer

Dimensions (D x W x H): 23 x 46 x 36 inches (20 W with conveyor stored), Shipping weight: 280 lbs.

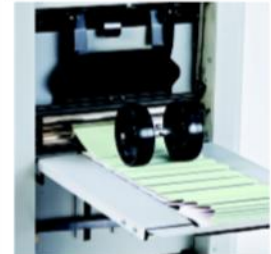


### SAFETY ACCESS COVER



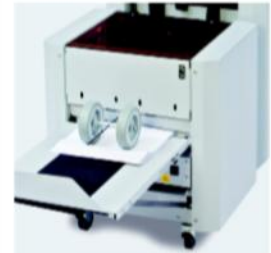
The transparent safety access cover will not allow machine to operate when open.

### POWERED CONVEYOR



A powered exit conveyor stacks booklets neatly and folds away for compact storage.

### OPTIONAL TRIMMER



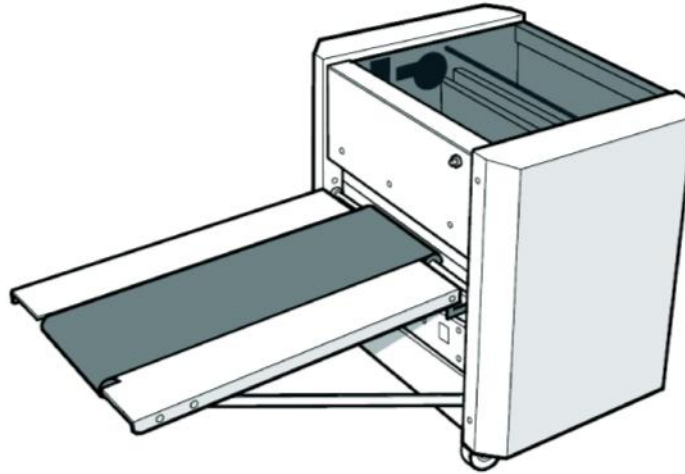
An optional face trimmer trims booklets up to 100 pages.\*

### → SPRINT 3000

Speed	1,500 sets/hr*
Sheet capacity	25*
Paper size	5 1/2" x 8" to 12" x 18"
Power supply	115 V, 60 Hz

\* may vary due to variations in paper and power supply

## SPRINT TRIMMER



**TRIMMER SPECIFICATIONS:**

**Max. Cutting Height:** 50 sheets of 80 GSM bond

---

**Book Sizes:** 5½" x 4¼" to 11" x 8½"

---

**Dimensions:** Width: 22½"  
Height: 24½"  
Length: 19¼" (Conveyor stored)  
Length: 40" (Conveyor in use)

---

**Weight:** 185.2 Lbs.

---

**Power:** 110v 60Hz  
Consumption approx. 180 Watts  
Fuse: Mains inlet - 10 amp 110 V.  
24 Vdc power supply - 2.5 amp 110 V

---